

PARTS LIST

[ XM-PX50WT ]

\* All printed circuit boards and its assemblies are not available as service parts.

Area suffix

UB ----- Hong Kong

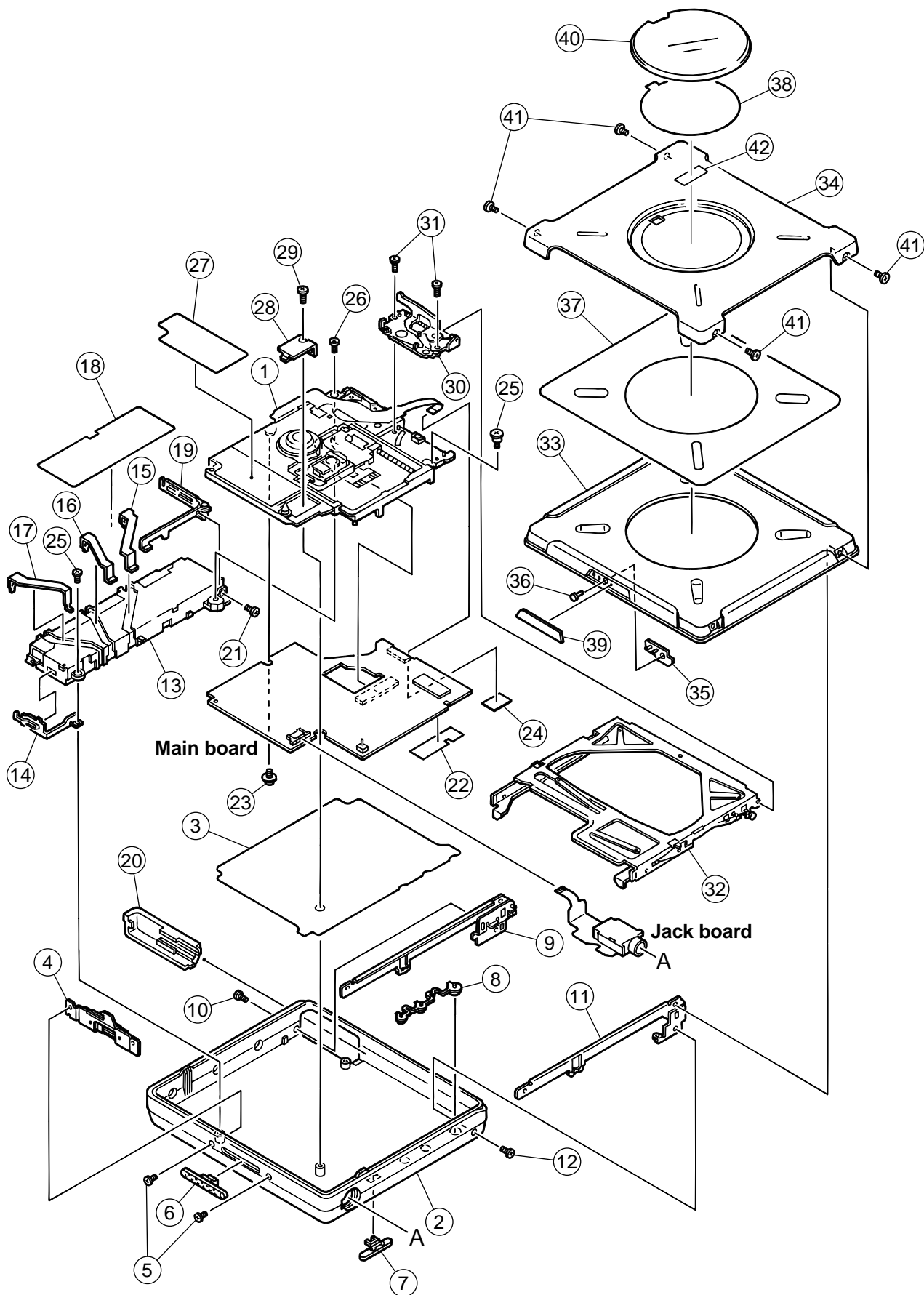
- Contents -

Exploded view of general assembly and parts list .....	3-2
Charger assembly and parts list .....	3-4
MD mechanism assembly and parts list .....	3-5
Electrical parts list .....	3-6
Packing materials and accessories parts list .....	3-9

# Exploded view of general assembly and parts list

Block No. 

M	1	M	M
---	---	---	---



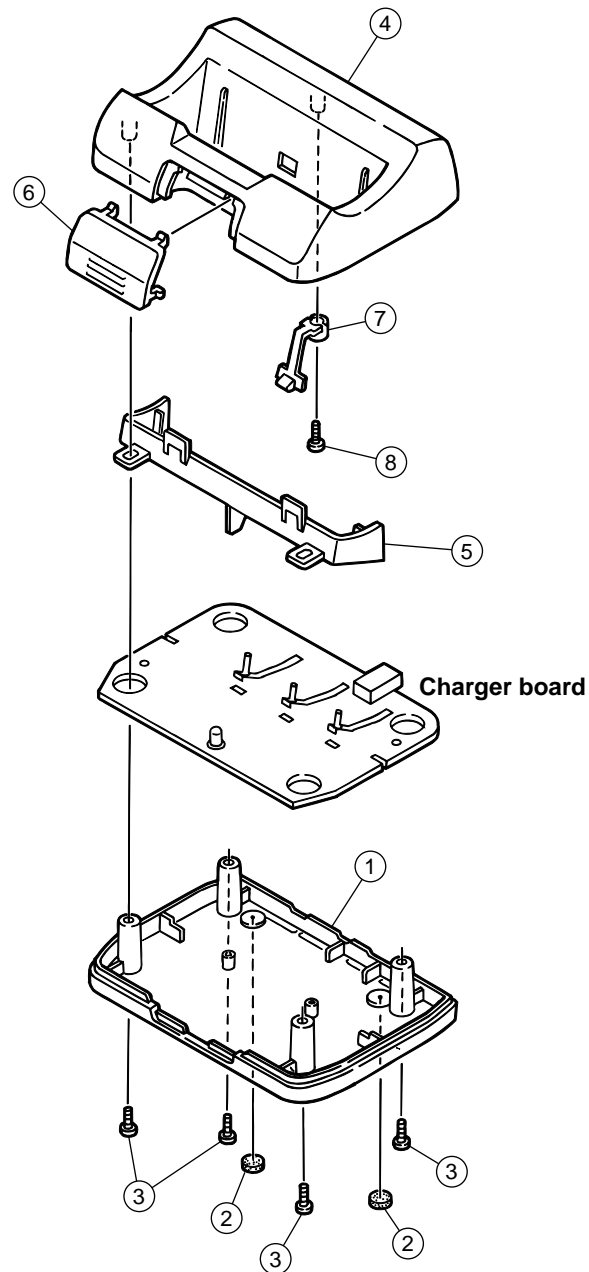
**Parts list (General assembly)**

Block No. M1MM

△	Item	Parts number	Parts name	Q'ty	Description	Area
	1	-----	FLM-FPM	1		
	2	LV10439-004A	BOTTOM CASE	1		
	3	LV41969-001A	SHIELD SHEET	1		
	4	LV32205-001A	EJECT ASSY	1		
	5	LV41215-006A	MINI SCREW	2	FOR EJECT ASSY	
	6	LV32198-001A	OPEN KNOB	1		
	7	LV32200-001A	SLIDE KNOB	1	VOL/SKIP/HOLD	
	8	LV32199-001A	PUSH BUTTON	1		
	9	LV32211-002A	ARM ASSY(L)	1		
	10	LV41215-006A	MINI SCREW	1	FOR ARM ASSY(L)	
	11	LV32210-001A	ARM ASSY(R)	1		
	12	LV41215-006A	MINI SCREW	1	FOR ARM ASSY(R)	
	13	LV20899-001A	BATT HOLDER	1		
	14	LV31334-003A	BATT CONTACT(-)	1		
	15	LV31332-003A	CHG CONTACT (+)	1		
	16	LV31333-005A	CHG CONTACT (-)	1		
	17	LV32352-001A	CHG CONTACT(S)	1		
	18	LV42142-002A	SHEET	1		
	19	LV32242-001A	B.CONTACT ASSY	1		
	20	LV32201-002A	BATTERY LID	1		
	21	VKZ4616-008	SCREW	1	B.CONTACT ASSY	
	22	LV42222-001A	PROTECTOR	1	FOR PCB	
	23	LV40242-001A	MINI SCREW	1	FOR PCB-MECHA	
	24	LV30225-0A6A	SPACER	1	FOR MECHA(F)-PC	
	25	QYSPSGU1425M	TAP SCREW	2	FOR PCB	
	26	LV40241-004A	SPECIAL SCREW	1	FOR MECHA	
	27	LV31339-004A	CAUTION LABEL	1		
	28	LV32202-001A	H.P JACK COVER	1		
	29	QYSPSGU1425M	TAP SCREW	1		
	30	LV31294-001A-S	EJECT UNIT	1		
	31	QYSPSFT1425M	MINI SCREW	2	(M1.4 PX2.5,B)	
	32	LV20881-003A	HOLDER ASS'Y	1		
	33	LV10424-002A	MD DOOR BASE	1		
	34	LV20873-004A	MD DOOR COVER	1		
	35	LV41967-001A	HOOK	1		
	36	VKZ4616-008	SCREW	1		
	37	LV42158-001A	D.F TAPE	1	FOR MD DOOR	
	38	LV42147-004A	SHEET	1	FOR LENS	
	39	LV41968-002A	OPEN LABEL	1		
	40	LV32197-002A	LENS	1		
	41	LV41215-006A	MINI SCREW	4	FOR MD DOOR	
	42	LV30225-0A1A	SPACER	1	FOR SHEET	

# Charger assembly and parts list

Block No. M 2 M M



## Parts list (Charger)

Block No. M2MM

⚠	Item	Parts number	Parts name	Q'ty	Description	Area
	1	LV20897-005A	BOTTOM CASE	1	PC CLEAR	
	2	LV40243-001A	FOOT	2	FOR BOTTOM	
	3	QYSDSF2006Z	SCREW	4	BOTTOM+TOP	
	4	LV10451-001A	TOP COVER	1	PC	
	5	LV20898-001A	INNER CABI	1	PC	
	6	LV32349-002A	LENS	1	PMMA	
	7	LV32350-001A	HOOK	1	POM	
	8	QYSDSF2006Z	SCREW	1	FOR HOOK	

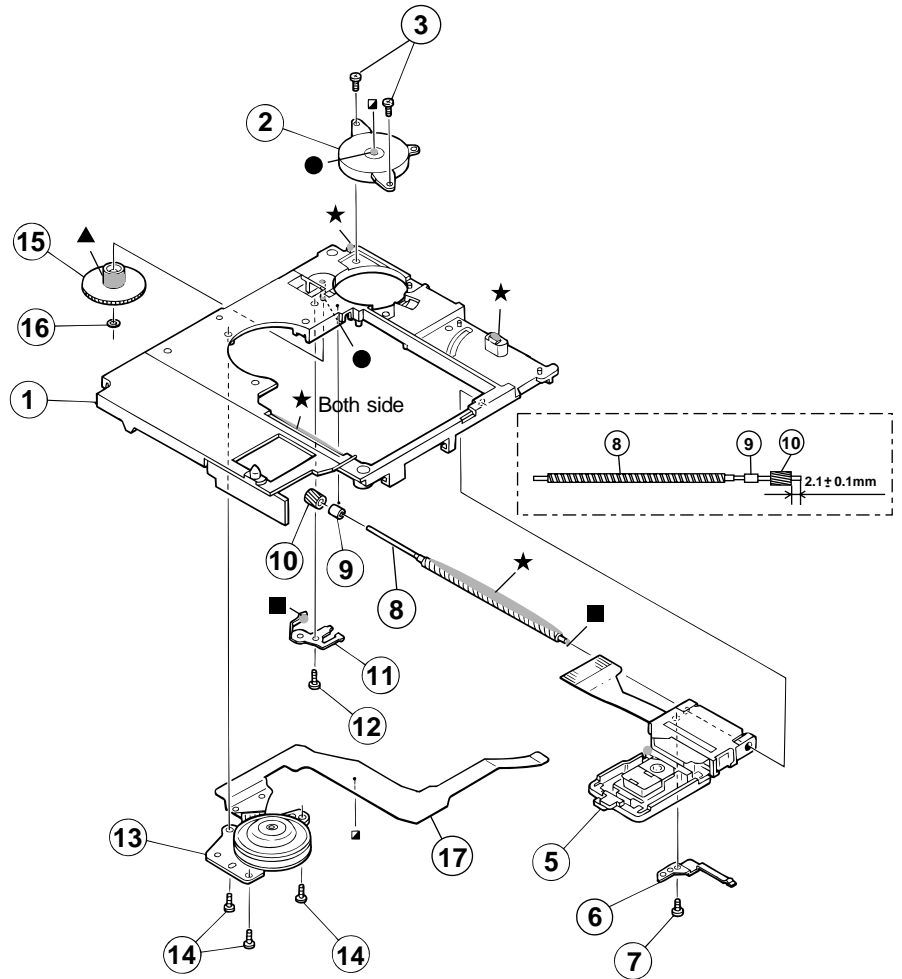
# MD mechanism assembly and parts list

Block No. M 2 M M

FLM-FPM

**Grease**

- ★ = FL-7750
- ▲ = CFD-4007HY2
- = FG-87HS
- = 948P



■ Parts list (MD mechanism)

Block No. M3MM

▲	Item	Parts number	Parts name	Q'ty	Description	Area
	1	LV20882-001A	CHASSIS ASS'Y	1		
	2	QAR0113-001	FEED MOTOR	1		
	3	QYSPSFT1425M	MINI SCREW	2	(M1.4 PX2.5,B)	
	5	QAL0237-001	PICK UP	1		
	6	LV32031-001A	LEAD SPRING	1		
	7	QYSPSGT1425N	MINI SCREW	1	(M1.4 BX2.5,N)	
	8	LV32114-001A	LEAD SCREW	1		
	9	LV41132-001A	METAL	1		
	10	LV41133-001A	WHEEL GEAR	1		
	11	LV41134-003A	SHAFT HOLDER	1		
	12	QYSPSFT1425M	MINI SCREW	1	(M1.4 PX2.5,B)	
	13	QAR0112-001	SPINDLE MOTOR	1		
	14	QYSPSFT1425M	MINI SCREW	3	(M1.4 PX2.5,B)	
	15	LV41141-002A	WORM GEAR	1		
	16	WDM082520	SLIT WASHER	1		
	17	LVB10188-001A	MECHA FPC	1		

■ Electrical parts list (Main board)

Block No. 01

△	Item	Parts number	Parts name	Remarks	Area
	C 62	NCB31HK-102X	C CAPACITOR		
	C 63	NCB31HK-102X	C CAPACITOR		
	C 64	NCB31HK-102X	C CAPACITOR		
	C 65	NCB31HK-103X	C CAPACITOR		
	C 102	NCS31HJ-391X	C CAPACITOR		
	C 103	NCB21AK-105X	C CAPACITOR		
	C 111	NCB21CK-224X	C CAPACITOR		
	C 112	NCB31AK-224X	C CAPACITOR		
	C 113	NBFA0GM-157X	TS E CAPACITOR		
	C 202	NCS31HJ-391X	C CAPACITOR		
	C 203	NCB21AK-105X	C CAPACITOR		
	C 211	NCB21CK-224X	C CAPACITOR		
	C 212	NCB31AK-224X	C CAPACITOR		
	C 213	NBFA0GM-157X	TS E CAPACITOR		
	C 300	NCB31HK-103X	C CAPACITOR		
	C 301	NCB31CK-273X	C CAPACITOR		
	C 302	NCB31CK-823X	C CAPACITOR		
	C 308	NCB31HK-682X	C CAPACITOR		
	C 309	NCB30JK-105X	C CAPACITOR		
	C 310	NCB31HK-472X	C CAPACITOR		
	C 311	NCB30JK-105X	C CAPACITOR		
	C 312	NCB31CK-333X	C CAPACITOR		
	C 313	NCB31AK-224X	C CAPACITOR		
	C 314	NCB31HK-103X	C CAPACITOR		
	C 315	NCB31EK-223X	C CAPACITOR		
	C 316	NCB31CK-104X	C CAPACITOR		
	C 317	NCB31HK-682X	C CAPACITOR		
	C 318	NCB31HK-102X	C CAPACITOR		
	C 319	NBE90JM-106X	TS E CAPACITOR		
	C 320	NCB31HK-103X	C CAPACITOR		
	C 321	NCB21CK-474X	C CAPACITOR		
	C 323	NCB21AK-105X	C CAPACITOR		
	C 325	NCB31CK-104X	C CAPACITOR		
	C 351	NBE20JM-106X	TA E CAPACITOR		
	C 352	NBE20JM-106X	TA E CAPACITOR		
	C 353	NBE20JM-106X	TA E CAPACITOR		
	C 354	NBE20JM-106X	TA E CAPACITOR		
	C 355	NCS31HJ-7R0X	C CAPACITOR		
	C 356	NCS31HJ-7R0X	C CAPACITOR		
	C 357	NCB21AK-105X	C CAPACITOR		
	C 358	NCB21AK-105X	C CAPACITOR		
	C 359	NCB30JK-105X	C CAPACITOR		
	C 360	NCB31CK-104X	C CAPACITOR		
	C 371	NCB31HK-103X	C CAPACITOR		
	C 372	NCB21CK-474X	C CAPACITOR		
	C 373	NCB21AK-105X	C CAPACITOR		
	C 374	NCS31HJ-471X	C CAPACITOR		
	C 376	NCB21CK-474X	C CAPACITOR		
	C 377	NCB31HK-153X	C CAPACITOR		
	C 401	NCB21AK-105X	C CAPACITOR		
	C 402	NBE21CM-335X	TS E CAPACITOR		
	C 403	NCB30JK-105X	C CAPACITOR		
	C 404	NCB30JK-105X	C CAPACITOR		
	C 450	NCB31CK-473X	C CAPACITOR		
	C 454	NCB21AK-105X	C CAPACITOR		
	C 456	NCB31HK-222X	C CAPACITOR		
	C 457	NCB31HK-102X	C CAPACITOR		
	C 458	NCB31CK-473X	C CAPACITOR		
	C 459	NCB21AK-105X	C CAPACITOR		
	C 460	NCB31HK-682X	C CAPACITOR		
	C 461	NCB31CK-473X	C CAPACITOR		
	C 463	NCB21AK-105X	C CAPACITOR		
	C 500	NCB21AK-105X	C CAPACITOR		

△	Item	Parts number	Parts name	Remarks	Area
	C 503	NCB31CK-104X	C CAPACITOR		
	C 504	NCB21AK-105X	C CAPACITOR		
	C 506	NCB31CK-104X	C CAPACITOR		
	C 507	NCB31CK-104X	C CAPACITOR		
	C 509	NCB31CK-104X	C CAPACITOR		
	C 510	NCB31HK-102X	C CAPACITOR		
	C 512	NCB31CK-104X	C CAPACITOR		
	C 513	NCB31HK-102X	C CAPACITOR		
	C 590	NCB31HK-102X	C CAPACITOR		
	C 602	NCB30JK-105X	C CAPACITOR		
	C 603	NCB30JK-105X	C CAPACITOR		
	C 604	NCB21AK-105X	C CAPACITOR		
	C 613	NBE20JM-106X	TA E CAPACITOR		
	C 614	NBE90JM-475X	TA E CAPACITOR		
	C 630	NCS31HJ-331X	C CAPACITOR		
	C 631	NCS31HJ-331X	C CAPACITOR		
	C 901	NCB11AK-475X	C CAPACITOR		
	C 902	NCS31HJ-221X	C CAPACITOR		
	C 903	NBG40GM-226X	TS E CAPACITOR		
	C 904	NBE40JM-476X	TS E CAPACITOR		
	C 906	NCB31CK-104X	C CAPACITOR		
	C 921	NCB21AK-225X	C CAPACITOR		
	C 923	NCB21AK-105X	C CAPACITOR		
	C 924	NCB31CK-104X	C CAPACITOR		
	C 961	NCB21AK-105X	C CAPACITOR		
	C 962	NCB21AK-225X	C CAPACITOR		
	C 963	NCB31CK-104X	C CAPACITOR		
	CN300	QGF0515F3-20X	FFC CONNECTOR	PICK	
	CN301	QGF0515F3-20X	FFC CONNECTOR	PICK	
	CN401	QGF0515F3-07X	FFC CONNECTOR	MECHA	
	CN601	QGF0515F4-06X	FFC CONNECTOR	HP	
	D 400	F02J4L-X	DIODE		
	D 901	F1J2E-X	DIODE		
	IC300	CXA2588R	IC		
	IC351	CXD2672GA	IC	DSP	
	IC400	MPC17A139MTB-X	IC		
	IC450	CXA8095Q	IC		
	IC501	UPD784225GK-617	IC(MCU)		
	IC502	AK93C55BH-W	IC		
	IC504	IC-PST3421U-X	IC		
	IC505	TC75S51F-X	IC		
	IC601	JCV8002-W	IC		
	IC901	XC6367A251M-X	IC		
	IC921	TK11118SC-W	IC		
	IC961	TK11223BMC-X	IC		
	K 101	NQR0129-004X	FERRITE BEADS		
	K 201	NQR0129-004X	FERRITE BEADS		
	K 601	NQR0129-004X	FERRITE BEADS		
	K 602	NQR0129-004X	FERRITE BEADS		
	K 603	NQR0129-004X	FERRITE BEADS		
	K 604	NQR0129-004X	FERRITE BEADS		
	L 400	NQL114K-471X	INDUCTOR		
	L 501	NQL302N-100X	INDUCTOR		
	L 602	NQL38DM-1R0X	INDUCTOR		
	L 901	NQL32CM-220X	INDUCTOR		
	L 902	NQL114M-1R0X	INDUCTOR		
	Q 60	2SA2018-X	TRANSISTOR		
	Q 61	DTC144EE-X	TRANSISTOR		
	Q 63	2SC4617/QR/-X	TRANSISTOR		
	Q 64	2SC4617/QR/-X	TRANSISTOR		
	Q 300	2SB1219/RS/-X	TRANSISTOR		
	Q 301	DTA144EE-X	DIGI TRANSISTOR		
	Q 501	2SC4617/QR/-X	TRANSISTOR		

■ Electrical parts list (Main board)

Block No. 01

△	Item	Parts number	Parts name	Remarks	Area
	Q 502	DTA143TE-X	TRANSISTOR		
	Q 901	FMMT617-X	TRANSISTOR		
	Q 904	DTA124XUA-X	TRANSISTOR		
	Q 906	SSM3K01F-X	MOS FET		
	Q 961	DTA143TE-X	TRANSISTOR		
	Q 964	SSM3J01F-X	FET		
	Q 965	DTC144EE-X	TRANSISTOR		
	Q 966	DTA143TE-X	TRANSISTOR		
	R 60	NRSA6AJ-472W	MG RESISTOR		
	R 61	NRSA6AJ-474W	MG RESISTOR		
	R 62	NRSA6AJ-474W	MG RESISTOR		
	R 64	NRSA6AJ-474W	MG RESISTOR		
	R 101	NRSA6AJ-223W	MG RESISTOR		
	R 103	NRSA6AJ-392W	MF RESISTOR		
	R 111	NRSA6AJ-100W	MG RESISTOR		
	R 112	NRSA6AJ-392W	MF RESISTOR		
	R 113	NRSA6AJ-103W	MG RESISTOR		
	R 201	NRSA6AJ-223W	MG RESISTOR		
	R 203	NRSA6AJ-392W	MF RESISTOR		
	R 211	NRSA6AJ-100W	MG RESISTOR		
	R 212	NRSA6AJ-392W	MF RESISTOR		
	R 213	NRSA6AJ-103W	MG RESISTOR		
	R 301	NRZ0053-R22X	MG RESISTOR		
	R 303	NRSA6AJ-124W	MG RESISTOR		
	R 304	NRSA63J-1R0X	MG RESISTOR		
	R 305	NRSA6AJ-122W	MG RESISTOR		
	R 306	NRSA6AJ-124W	MG RESISTOR		
	R 307	NRSA6AJ-104W	MG RESISTOR		
	R 308	NRSA6AJ-0R0W	MG RESISTOR		
	R 310	NRSA6AJ-562W	MG RESISTOR		
	R 311	NRSA6AJ-103W	MG RESISTOR		
	R 314	NRSA6AJ-104W	MG RESISTOR		
	R 315	NRSA6AJ-133W	MG RESISTOR		
	R 316	NRSA6AJ-243W	MG RESISTOR		
	R 317	NRSA6AJ-104W	MG RESISTOR		
	R 318	NRSA6AJ-103W	MG RESISTOR		
	R 320	NRSA6AJ-563W	MG RESISTOR		
	R 321	NRSA6AJ-331W	MG RESISTOR		
	R 322	NRSA6AJ-331W	MG RESISTOR		
	R 323	NRSA6AJ-331W	MG RESISTOR		
	R 324	NRSA6AJ-102W	MG RESISTOR		
	R 325	NRSA6AJ-331W	MG RESISTOR		
	R 326	NRSA6AJ-331W	MG RESISTOR		
	R 328	NRSA6AJ-101W	MG RESISTOR		
	R 335	NRSA6AJ-102W	MG RESISTOR		
	R 336	NRSA6AJ-102W	MG RESISTOR		
	R 337	NRSA6AJ-102W	MG RESISTOR		
	R 338	NRSA6AJ-102W	MG RESISTOR		
	R 339	NRSA63J-100X	MG RESISTOR		
	R 341	NRSA6AJ-562W	MG RESISTOR		
	R 351	NRSA63J-1R0X	MG RESISTOR		
	R 352	NRSA63J-1R0X	MG RESISTOR		
	R 353	NRSA63J-1R0X	MG RESISTOR		
	R 354	NRSA6AJ-104W	MG RESISTOR		
	R 355	NRSA6AJ-0R0W	MG RESISTOR		
	R 356	NRSA6AJ-0R0W	MG RESISTOR		
	R 357	NRSA6AJ-0R0W	MG RESISTOR		
	R 364	NRSA6AJ-101W	MG RESISTOR		
	R 366	NRSA6AJ-101W	MG RESISTOR		
	R 367	NRSA6AJ-472W	MG RESISTOR		
	R 369	NRSA6AJ-102W	MG RESISTOR		
	R 371	NRSA6AJ-103W	MG RESISTOR		
	R 372	NRSA6AJ-104W	MG RESISTOR		

△	Item	Parts number	Parts name	Remarks	Area
	R 373	NRSA6AJ-684W	MG RESISTOR		
	R 376	NRSA6AJ-332W	MG RESISTOR		
	R 377	NRSA6AJ-102W	MG RESISTOR		
	R 378	NRSA6AJ-105W	MG RESISTOR		
	R 379	NRSA6AJ-102W	MG RESISTOR		
	R 380	NRSA6AJ-151W	MG RESISTOR		
	R 385	NRSA6AJ-103W	MG RESISTOR		
	R 386	NRSA6AJ-103W	MG RESISTOR		
	R 387	NRSA6AJ-103W	MG RESISTOR		
	R 388	NRSA6AJ-103W	MG RESISTOR		
	R 400	NRSA6AJ-474W	MG RESISTOR		
	R 402	NRSA63J-1R0X	MG RESISTOR		
	R 450	NRSA6AJ-223W	MG RESISTOR		
	R 451	NRSA6AJ-223W	MG RESISTOR		
	R 454	NRSA6AJ-474W	MG RESISTOR		
	R 455	NRSA63J-1R0X	MG RESISTOR		
	R 459	NRSA6AJ-105W	MG RESISTOR		
	R 460	NRSA63J-225X	MG RESISTOR		
	R 461	NRSA6AJ-333W	MG RESISTOR		
	R 463	NRSA6AJ-0R0W	MG RESISTOR		
	R 466	NRSA63J-1R0X	MG RESISTOR		
	R 501	NRSA6AJ-473W	MG RESISTOR		
	R 503	NRSA6AJ-273W	MG RESISTOR		
	R 504	NRSA6AJ-473W	MG RESISTOR		
	R 506	NRSA6AJ-0R0W	MG RESISTOR		
	R 507	NRSA6AJ-273W	MG RESISTOR		
	R 508	NRSA6AJ-222W	MG RESISTOR		
	R 509	NRSA6AJ-104W	MG RESISTOR		
	R 510	NRSA6AJ-103W	MG RESISTOR		
	R 511	NRSA6AJ-474W	MG RESISTOR		
	R 512	NRSA6AJ-474W	MG RESISTOR		
	R 513	NRSA6AJ-474W	MG RESISTOR		
	R 514	NRSA6AJ-474W	MG RESISTOR		
	R 516	NRSA6AJ-473W	MG RESISTOR		
	R 517	NRSA6AJ-102W	MG RESISTOR		
	R 518	NRSA6AJ-104W	MG RESISTOR		
	R 519	NRSA6AJ-564W	MG RESISTOR		
	R 520	NRSA6AJ-104W	MG RESISTOR		
	R 521	NRSA6AJ-564W	MG RESISTOR		
	R 522	NRSA6AJ-474W	MG RESISTOR		
	R 523	NRSA6AJ-474W	MG RESISTOR		
	R 524	NRSA6AJ-103W	MG RESISTOR		
	R 525	NRSA6AJ-103W	MG RESISTOR		
	R 527	NRSA6AJ-474W	MG RESISTOR		
	R 529	NRSA6AJ-0R0W	MG RESISTOR		
	R 530	NRSA6AJ-0R0W	MG RESISTOR		
	R 601	NRSA6AJ-474W	MG RESISTOR		
	R 603	NRSA6AJ-474W	MG RESISTOR		
	R 604	NRSA6AJ-474W	MG RESISTOR		
	R 613	NRSA6AJ-4R7W	MG RESISTOR		
	R 901	NRSA6AJ-562W	MG RESISTOR		
	R 908	NRSA6AJ-0R0W	MG RESISTOR		
	R 909	NRSA6AJ-124W	MG RESISTOR		
	R 922	NRSA63J-0R0X	MG RESISTOR		
	R 961	NRSA6AJ-221W	MG RESISTOR		
	R 962	NRSA6AJ-474W	MG RESISTOR		
	R 965	NRSA6AJ-474W	MG RESISTOR		
	R 966	NRSA6AJ-472W	MG RESISTOR		
	R 967	NRSA6AJ-220W	MG RESISTOR		
	S 60	NSW0140-001X	DETECT SWITCH		
	S 501	NSW0117-001X	SLIDE SWITCH		
	S 502	NSW0134-001X	TACT SWITCH	ALPS	
	S 503	NSW0134-001X	TACT SWITCH	ALPS	
	S 504	NSW0134-001X	TACT SWITCH	ALPS	
	X 300	NAX0439-001X	CRYSTAL		
	X 500	NAX0427-001X	C RESONATOR		

■ Electrical parts list (Jack board)

Block No. 02

△	Item	Parts number	Parts name	Remarks	Area
	J 101	QNS0098-002	3.5 JACK		

■ Electrical parts list (Charger board)

Block No. 03

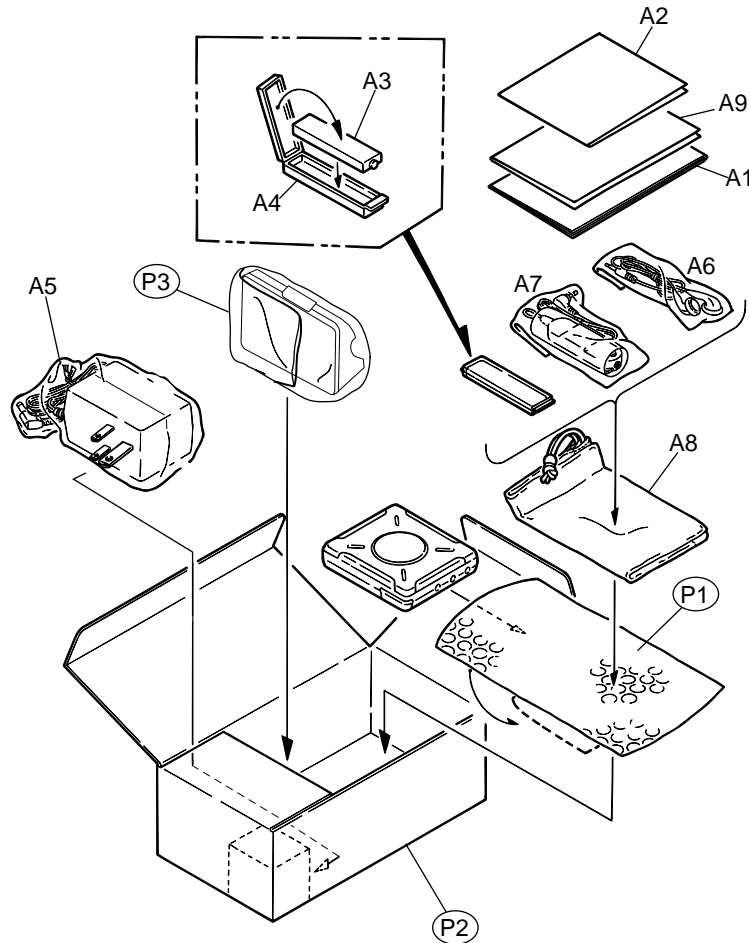
△	Item	Parts number	Parts name	Remarks	Area
	C 1	QETN1CM-227Z	E CAPACITOR	220MF 20% 16V	
	C 2	NCF21AZ-475X	C CAPACITOR		
	C 3	NCS31HJ-221X	C CAPACITOR		
	C 4	NCF21CZ-105X	C CAPACITOR		
	C 9	NCB31HK-103X	C CAPACITOR		
	C 11	NCB31HK-103X	C CAPACITOR		
	C 14	NCB31CK-683X	C CAPACITOR		
	D 1	TLSU126-T	LED	RED LED	
	D 2	MTZJ3.9B-T2	Z DIODE		
	IC 1	BA10324AF-XE	IC		
	J 1	QNA0025-001	3.5V	DC JACK	
	P 1	LV32351-001A	ASSY		
	P 2	LV32351-001A	ASSY		
	P 3	LV32351-001A	ASSY		
	Q 1	KTB772/Y/	TRANSISTOR	POWER TR	
	Q 3	2SC2412K/R/-X	TRANSISTOR		
	Q 4	2SC2412K/R/-X	TRANSISTOR		
	Q 5	2SC2412K/R/-X	TRANSISTOR		
	Q 6	SSM3J01F-X	FET		
	Q 7	2SC2412K/R/-X	TRANSISTOR		
	R 1	NRZ0063-R22X	MF RESISTOR		
	R 2	NRSA63J-104X	MG RESISTOR		
	R 4	NRSA63D-682X	MF RESISTOR		
	R 5	NRSA63D-103X	MG RESISTOR		
	R 6	NRSA63J-473X	MG RESISTOR		
	R 7	NRSA63J-471X	MG RESISTOR		
	R 8	NRSA63D-274X	MG RESISTOR		
	R 9	NRSA63D-823X	MG RESISTOR		
	R 10	NRSA63J-561X	MG RESISTOR		
	R 11	NRSA63J-102X	MG RESISTOR		
	R 12	NRSA63J-820X	MG RESISTOR		
	R 14	NRSA63J-102X	MG RESISTOR		
	R 15	NRSA63D-104X	MG RESISTOR		
	R 16	NRSA63D-433X	MG RESISTOR		
	R 17	NRSA63J-105X	MG RESISTOR		
	R 18	NRSA63J-104X	MG RESISTOR		
	R 21	NRSA63J-224X	MG RESISTOR		
	R 22	NRSA63J-103X	MG RESISTOR		
	R 27	NRSA63J-103X	MG RESISTOR		
	R 28	NRSA63J-823X	MG RESISTOR		
	R 31	NRSA63J-121X	MG RESISTOR		
	R 34	QRE141J-103Y	C RESISTOR	10K 5% 1/4W	
	R 36	NRSA63J-103X	MG RESISTOR		



# Packing materials and accessories parts list

Block No. M 4 M M

Block No. M 5 M M



## Parts list (Packing)

Block No. M4MM

⚠	Item	Parts number	Parts name	Q'ty	Description	Area
	P 1	LV30245-003A	POLY BAG	1	FOR SET	
	P 2	LV32550-002A	PACKING CASE	1		
	P 3	QPA01202505	POLY BAG	1	FOR CHARGER	

## Parts list (Accessories)

Block No. M5MM

⚠	Item	Parts number	Parts name	Q'ty	Description	Area
	A 1	LVT0593-001A	INST BOOK	1	ENG	
	A 2	LV42298-001A		1		
	A 3	QAB0024-006	NI-MH BATTERY	1	1400MAH	
	A 4	LV30791-001A	BATTERY CASE	1		
⚠	A 5	QAL0281-001	AC ADAPTER	1	AA-R352 FOR CHA	
	A 6	QAN0021-006	HEAD PHONE	1		
	A 7	QAL0252-004	REMOCON	1		
	A 8	LV32289-001A	SOFT CASE	1		
	A 9	LV30258-075A	UB SHEET	1	FOR UB MODEL	